

6

5

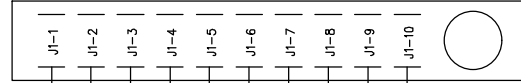
4

3

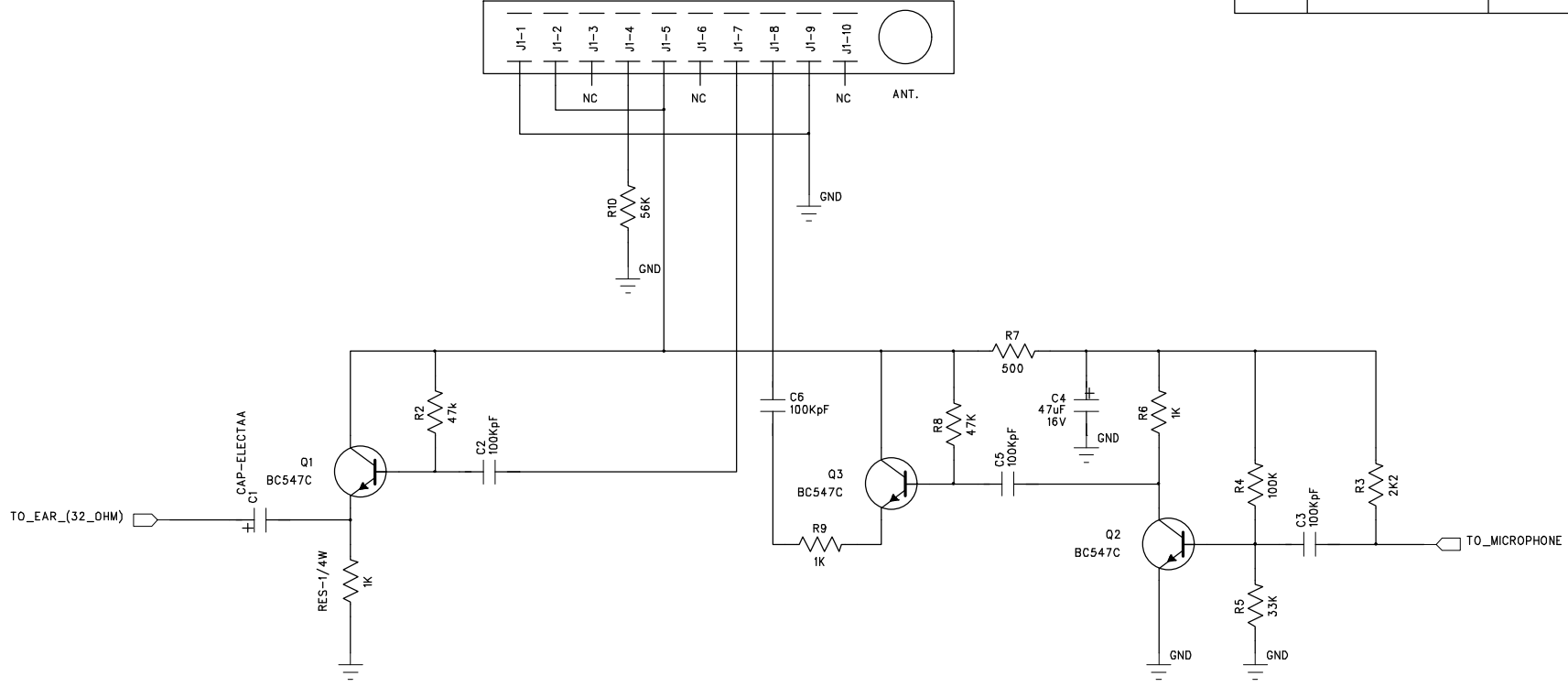
2

1

### MOTOROLA GSM CONNECTOR (FRONT VIEW)



REVISION RECORD			
LTR	ECO NO:	APPROVED:	DATE:



COMPANY:			
TITLE: <b>MOTOROLA D460-8700 HANDS FREE</b>			
CODE:	SIZE: <b>A3</b>	DRAWING NO: <b>MOT_001</b>	REV: <b>0</b>
SCALE: <b>1/1</b>			SHEET: <b>1</b> OF <b>1</b>

DRAWN: <b>P.G.98</b>	DATED: <b>03/10/98</b>
CHECKED: <b>P.G.98</b>	DATED: <b>03/10/98</b>
QUALITY CONTROL: <b>P.G.98</b>	DATED: <b>03/10/98</b>
RELEASED: <b>P.G.98</b>	DATED: <b>03/10/98</b>

D

C

B

A

D

C

B

A

6

5

4

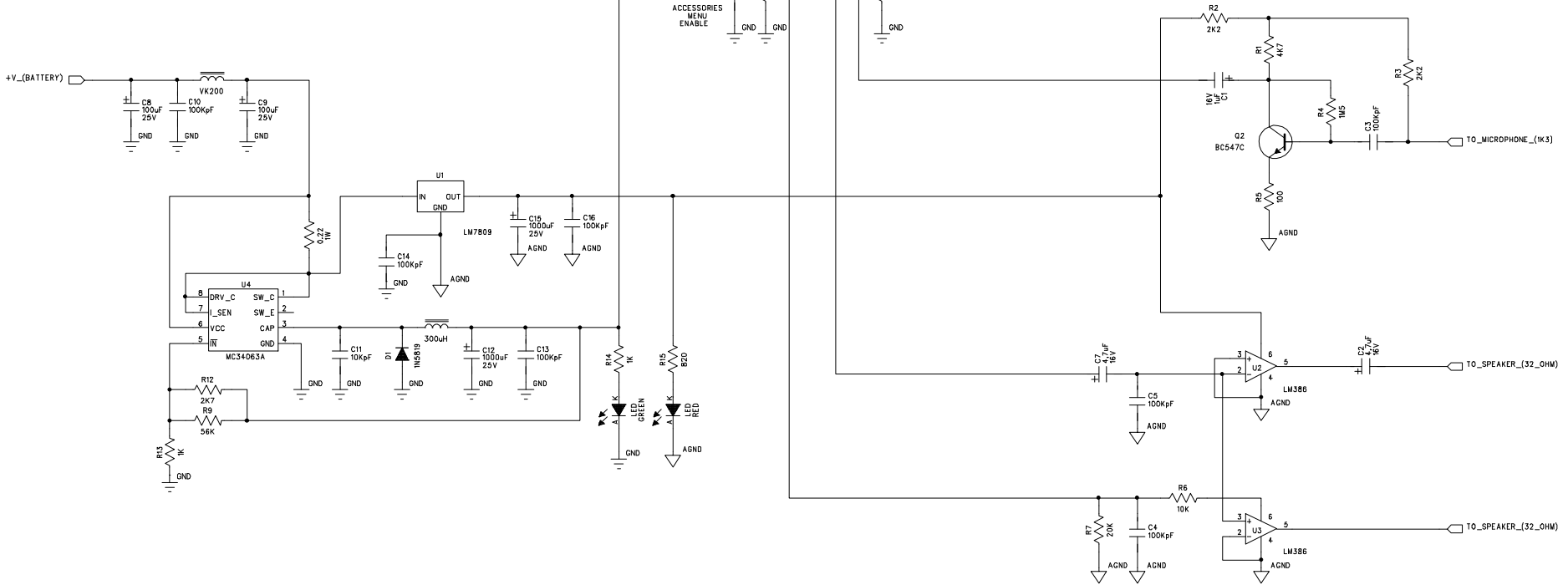
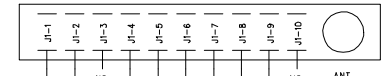
3

2

1

REVISION RECORD			
LTR	ECO NO:	APPROVED:	DATE:

MOTOROLA GSM CONNECTOR (FRONT VIEW)



COMPANY:			
TITLE: <b>MOTOROLA D460-8700 HANDS FREE WITH BATTERY CHARGER</b>			
DRAWN: <b>P.G.98</b>	DATED: <b>03/10/98</b>	CODE:	REV:
CHECKED: <b>P.G.98</b>	DATED: <b>03/10/98</b>	SIZE: <b>A3</b>	DRAWING NO: <b>MOT_002</b>
QUALITY CONTROL: <b>P.G.98</b>	DATED: <b>03/10/98</b>	SCALE: <b>1/1</b>	SHEET: 1 OF 1
RELEASED: <b>P.G.98</b>	DATED: <b>03/10/98</b>		

D

C

B

A

D

C

B

A